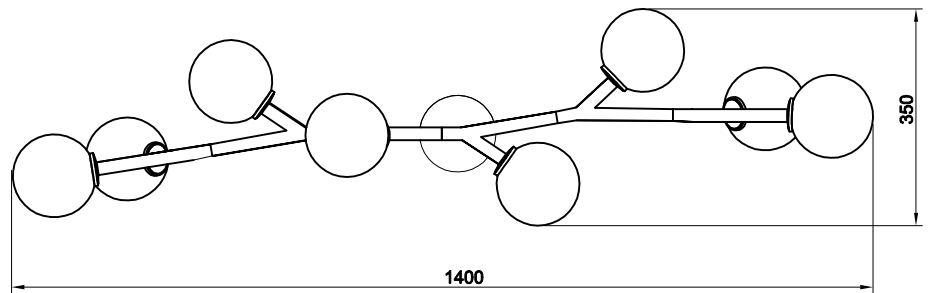
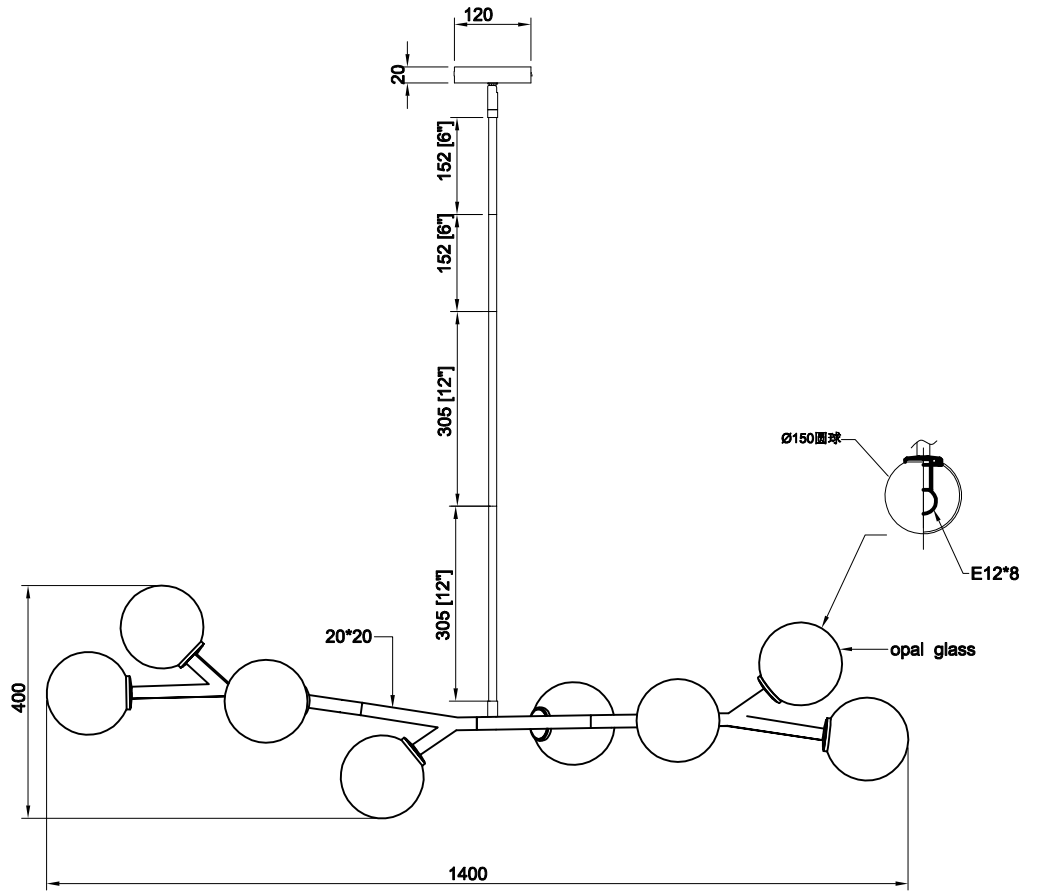
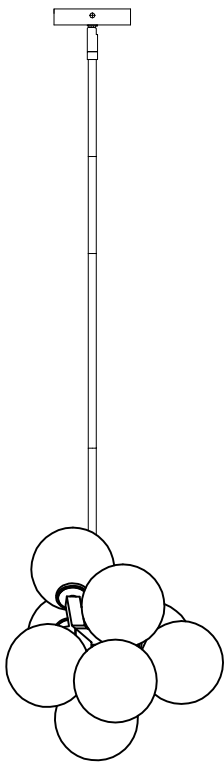
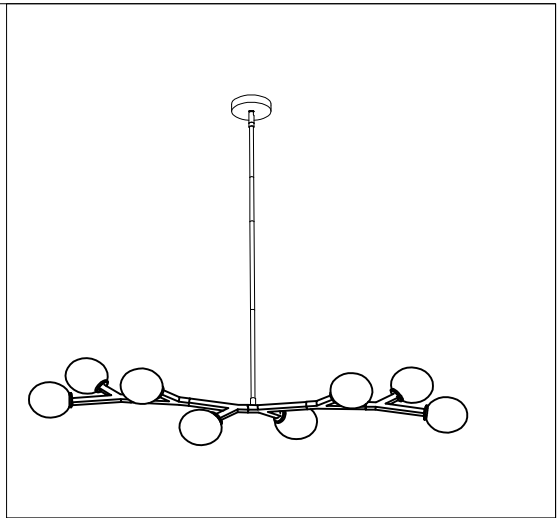


8032PL-12BK-US



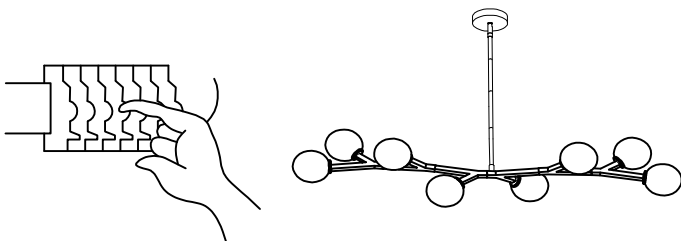
Installation instructions

NOTE:

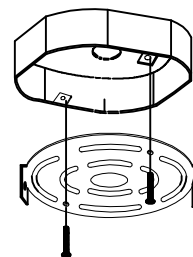
- Make sure POWER is completely off at the fuse box
- Have you fixture installed by a qualified licensed electrician
- Prepare everything in a clear area
- Wear gloves at all time during this installation
- Read instructions carefully before you start assembly
- Keep this nsrallation sheet for future reference

- 1: Cut off the power and take out the lamp body ;
- 2: Install the hanging plate on the reserved box ;
- 3: Remove the iron sheet at the corresponding position of the lamp body with a screwdriver. ;
- 4: Connect the two parts of the lamp body with a dental tube ;
- 5: Connect the power cord inside the lamp body. ;
- 6: Assemble the iron sheet on the lamp body with a screwdriver. ;
- 7: Connect the metal tube to the lamp body,And then connect the canopy to a metal pipe. ;
- 8: According to the mark (black wire is connected to "L", white wire is connected to "N", and ground wire is connected to "GND");
- 9: Cover the ceiling plate on the hanging plate and tighten it with the hanging plate cap ;
- 10 Install the bulb, Rotate and fix the lampshade on the lamp body ;

1



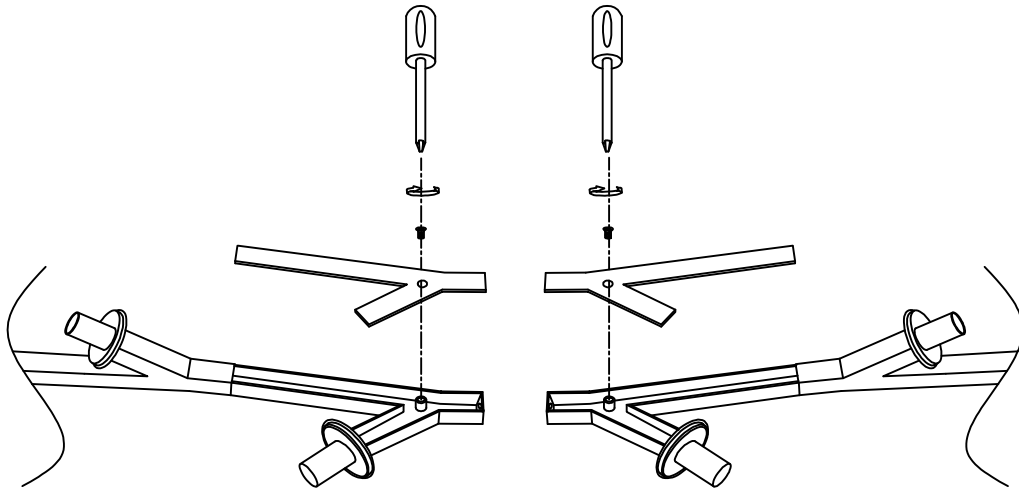
2



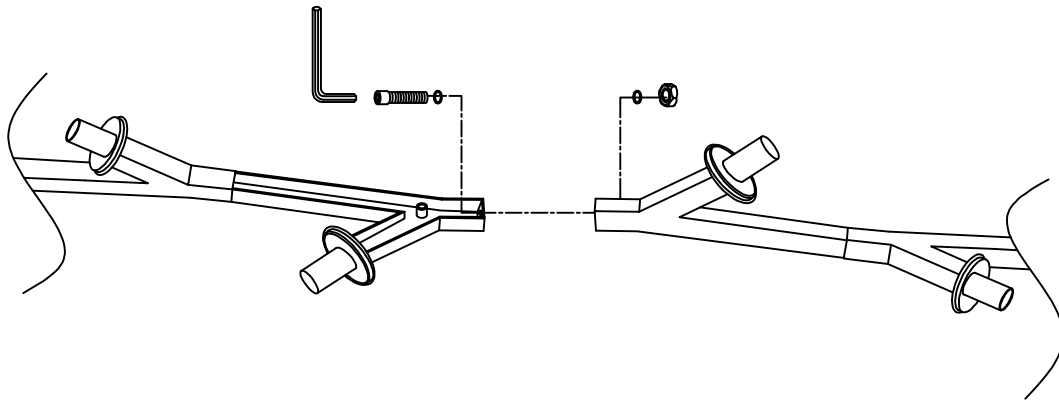
MODEL:8032PL-12BK-US

Installation instructions

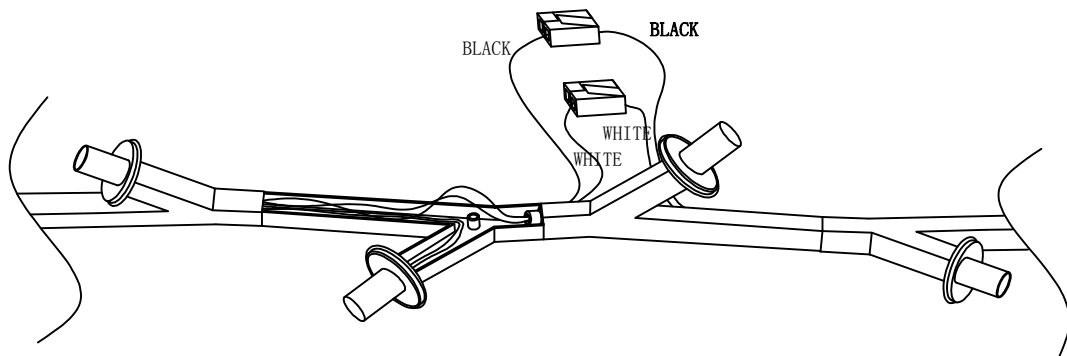
3



4



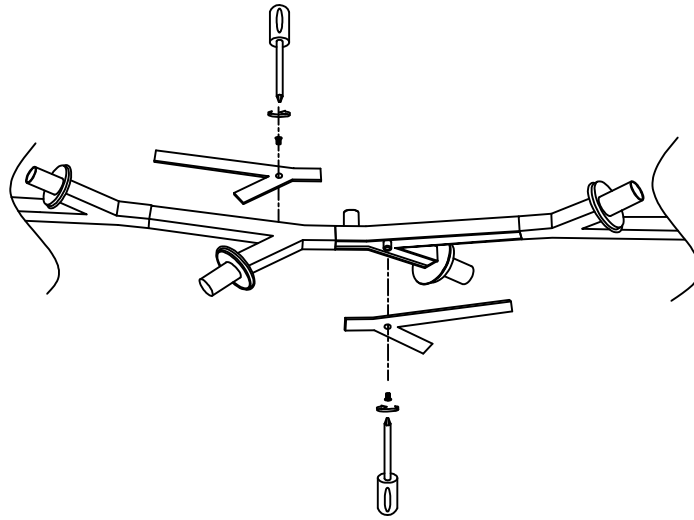
5



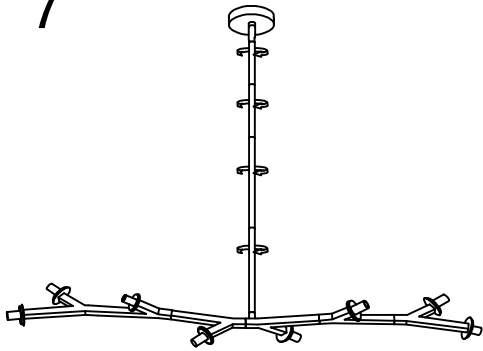
MODEL:8032PL-12BK-US

Installation instructions

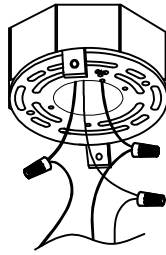
6



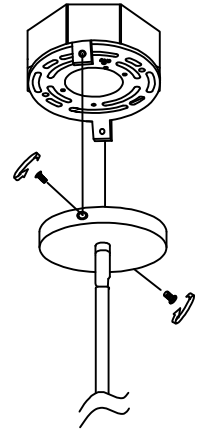
7



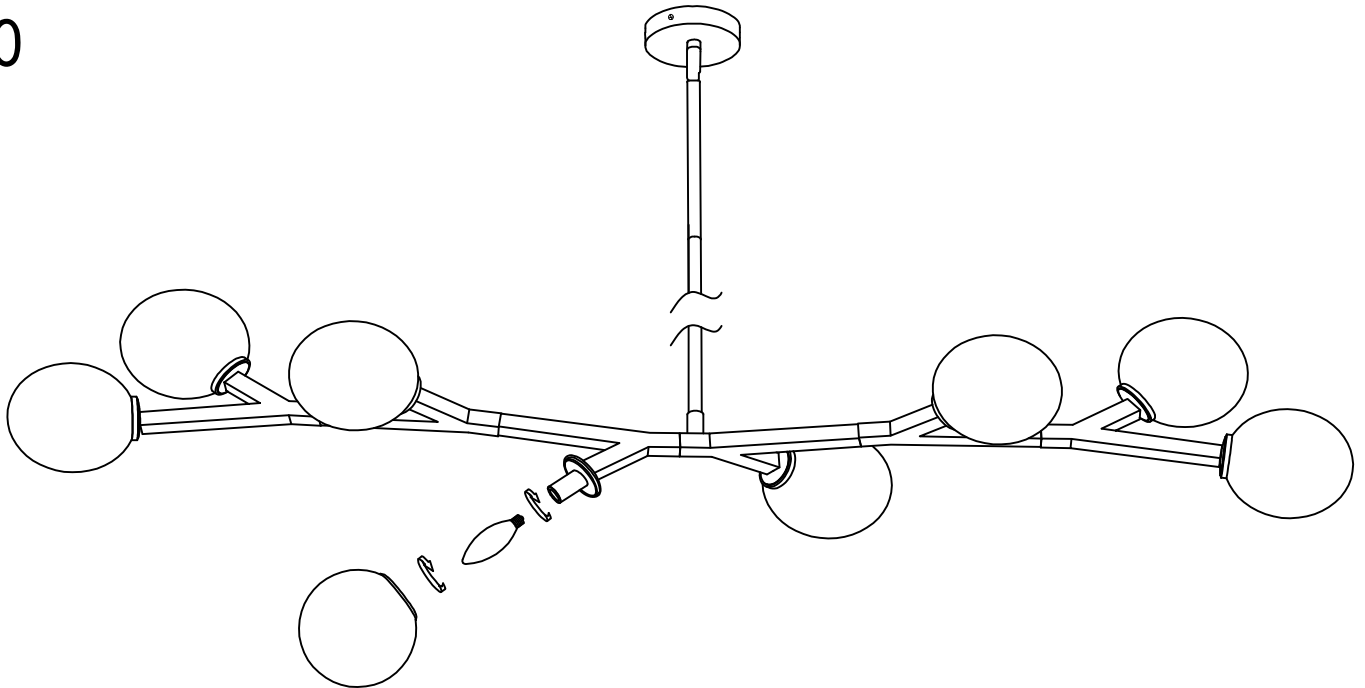
8



9



10



MODEL:8032PL-12BK-US