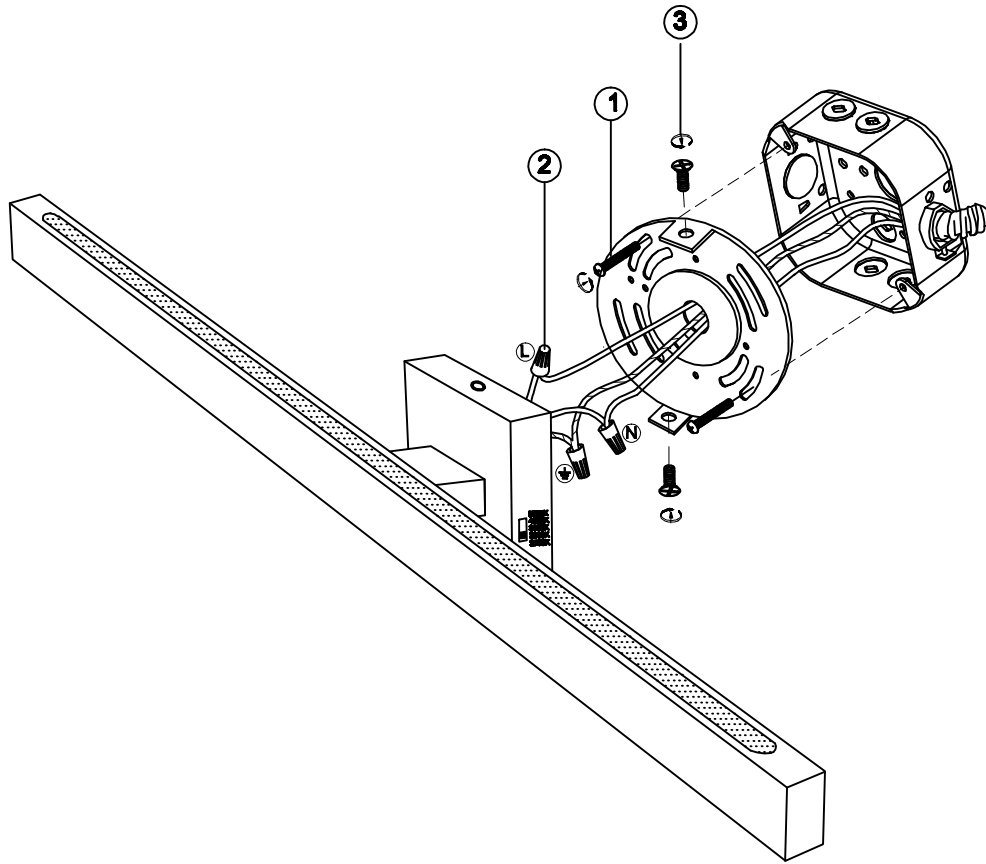


8247WL-32BK/GD/WN



1:Attach the mounting bracket to the electrical junction box on the wall using the fixing screw supplied.

2:Connect all the wiring L/N/G as diagram shows using plastic connector supplied.

3:Attach the wall plate to the mounting bracket and screw it using mounting screw supplied on fitting.

LED PARAMETERS :

DC - 120V

CRI : 90

Color temperature : 2700/3000/
3500/4000/5000 K

Power : 26 W

Lumens : 2100 LM

Dimming : 100%-10%, TRIAC