

INSTALLATION GUIDE FOR YF9080-F

WARNINGS AND CAUTIONS

Released Date: 2026-02

READ AND SAVE THESE INSTRUCTIONS

Please read and understand this entire manual before attempting to assemble, install or operate the product.

WARNING

- **RISK OF ELECTRIC SHOCK** - Before beginning installation, turn off electricity at the circuit breaker box or the main fuse box.
- **RISK OF FIRE** - Use bulbs specified by the markings and/or labels on the fixture.
- **RISK OF PERSONAL INJURY** - **DO NOT** bend the blades when installing the fan, or cleaning the fan.

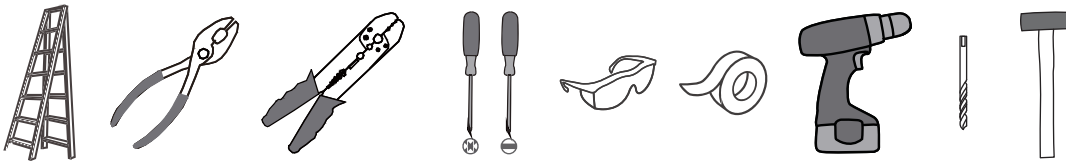
Do not insert foreign objects in between rotating fan blades.

- **RISK OF FIRE, ELECTRIC SHOCK, OR PERSONAL INJURY** - mount to outlet box marked and use mounting screws provided with the outlet box.
- All set screws must be checked, and re-tightened where necessary, before installation.
- After making the wire connections, the wires should be spread apart with the grounded conductor and the equipment-grounding conductor on one side of the outlet box and the ungrounded conductor on the other side of the outlet box.
- This unit weights 6kg(13.23 lbs).

CAUTION

- For your safety, read instructions completely before beginning installation.
- If in doubt about electrical installation, consult a licensed electrician.
- Disconnect fixture from the power source before replacing bulbs or cleaning. Make sure the bulbs are given sufficient time to cool before removing.

TOOLS REQUIRED

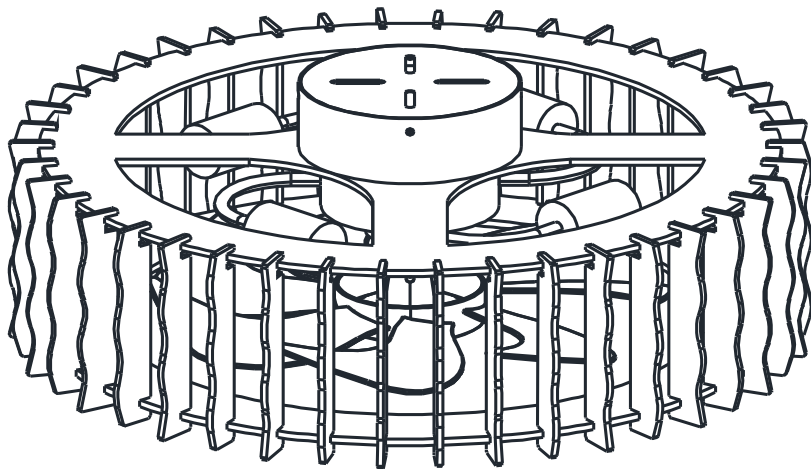


CARE AND MAINTENANCE

- Wipe clean using soft, dry cloth or static duster. Always avoid using harsh chemicals and abrasives to clean fixture as they may damage the finish.

PACKAGE CONTENTS

A Fixture Body
X1



PACKAGE CONTENTS (PARTS BAG 1)



AA



BB



CC



DD



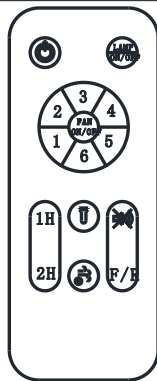
EE



NOTE: Hardware not shown to actual size.

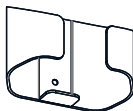
AA	Wire Connector	4
BB	Screw	4
CC	Wall Anchor	4
DD	Anchor Bolt	4
EE	Mechanical Screw	4

PACKAGE CONTENTS (PARTS BAG 2)



M

Remote Control
Transmitter
x 1



OO

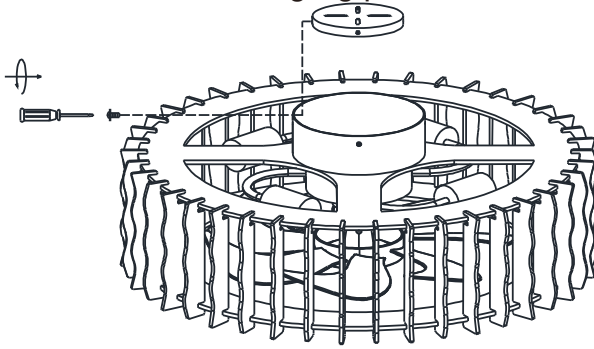
Wall Bracket
x 1



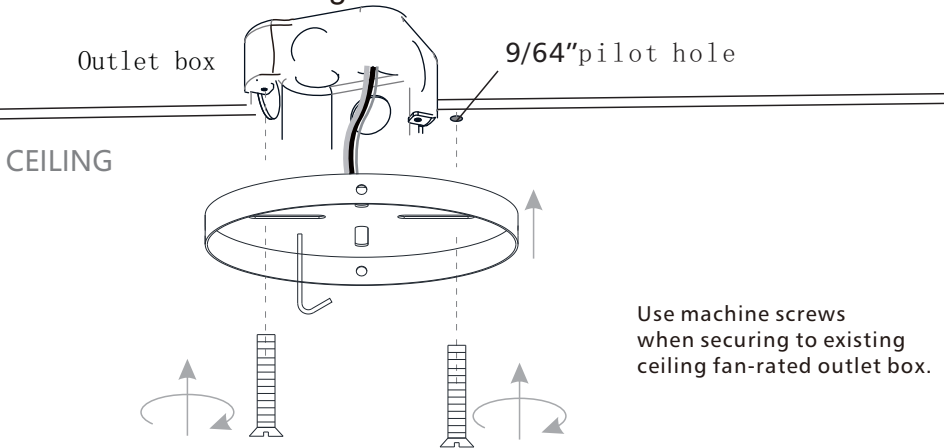
PP

Screw
x 2

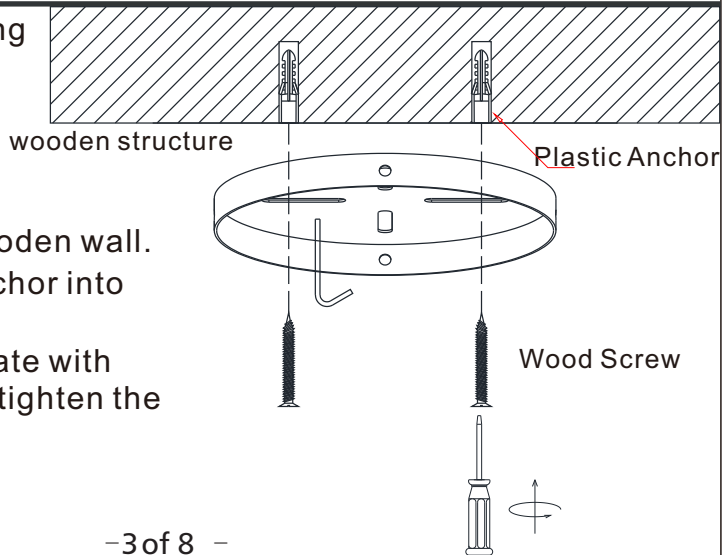
1 Take out the screws of the hanging plate



2-1 Junction Box Mounting Method



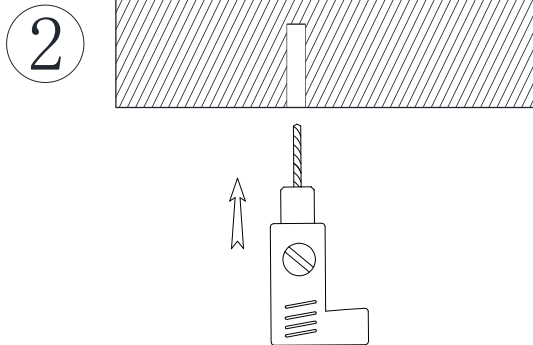
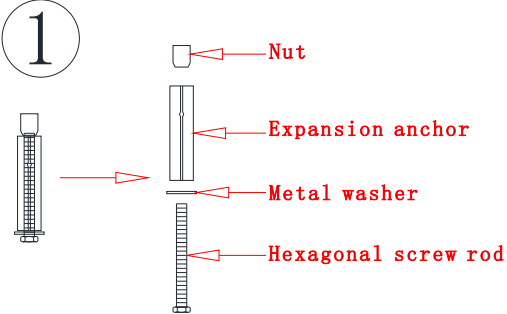
2-2 Wooden Mounting Method



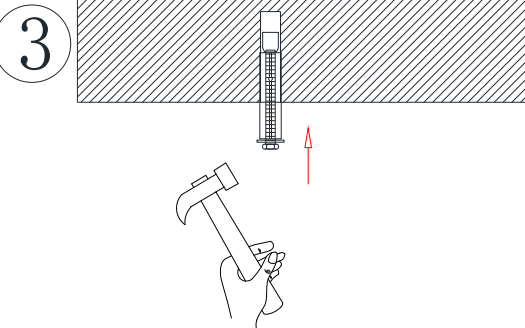
- 1, Drill a hole in the wooden wall.
- 2, Insert the plastic anchor into the hole.
- 3, Align the hanging plate with the plastic anchor and tighten the wood screw.

INSTALLATION

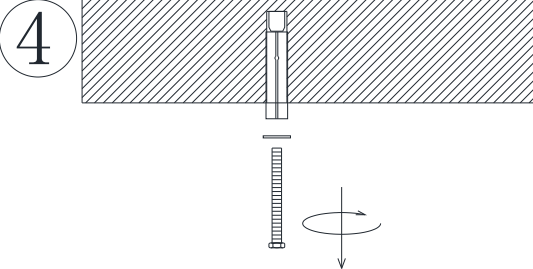
2-3 Concrete Wall Mounting Method



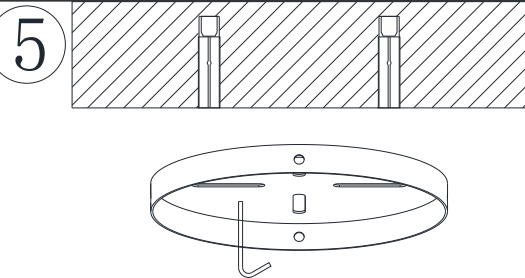
First fix the bracket position, then drill the holes.



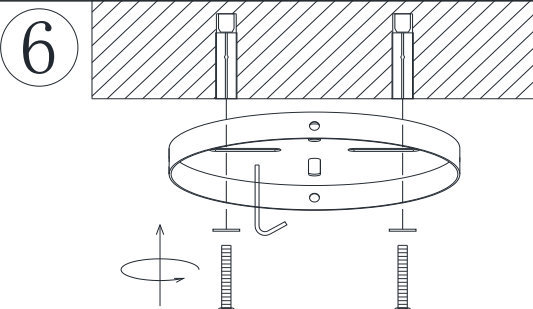
Insert expansion anchor into the hole. Note: Do not remove hex nut, spring washer, and metal washer.



Unscrew the hexagonal screw rod



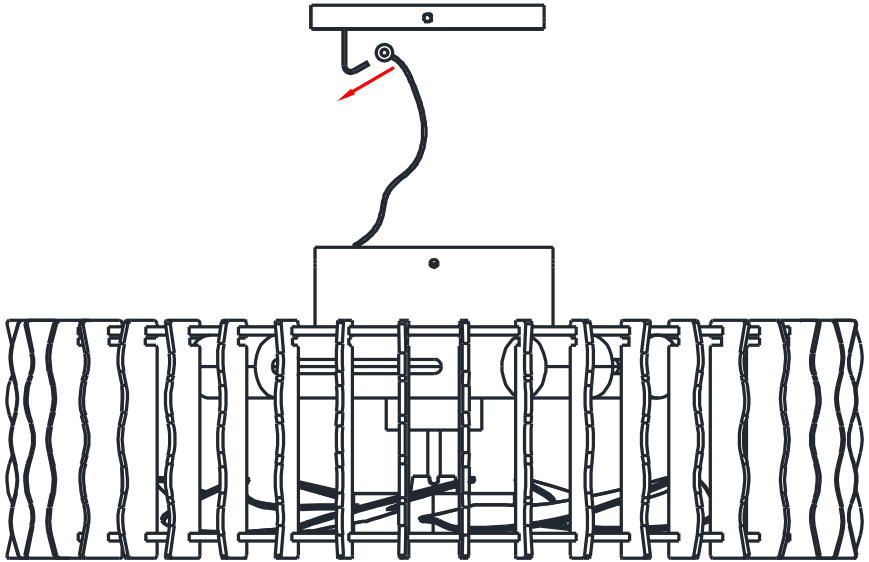
Take out the hanging plate disc and align it with the screw holes first



Take out the screws and install them in the order of hexagonal screw rod → washer → hanging plate disc

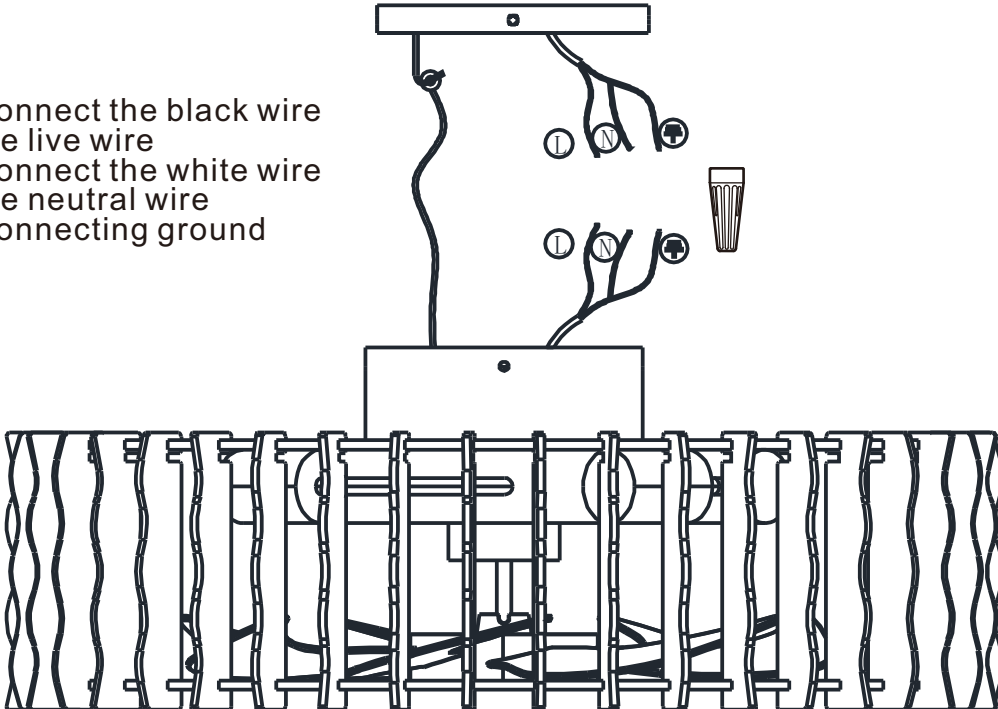
INSTALLATION

3 Choose Rod

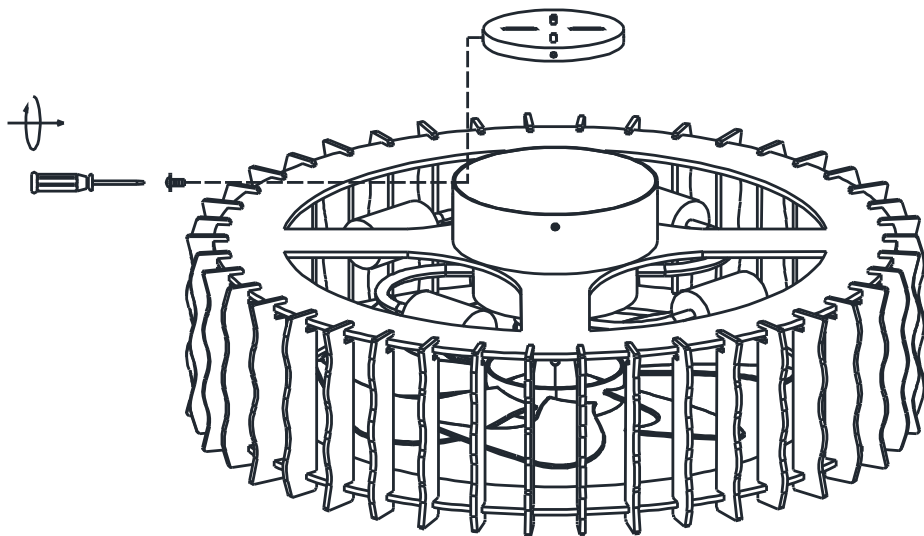


4 Wiring

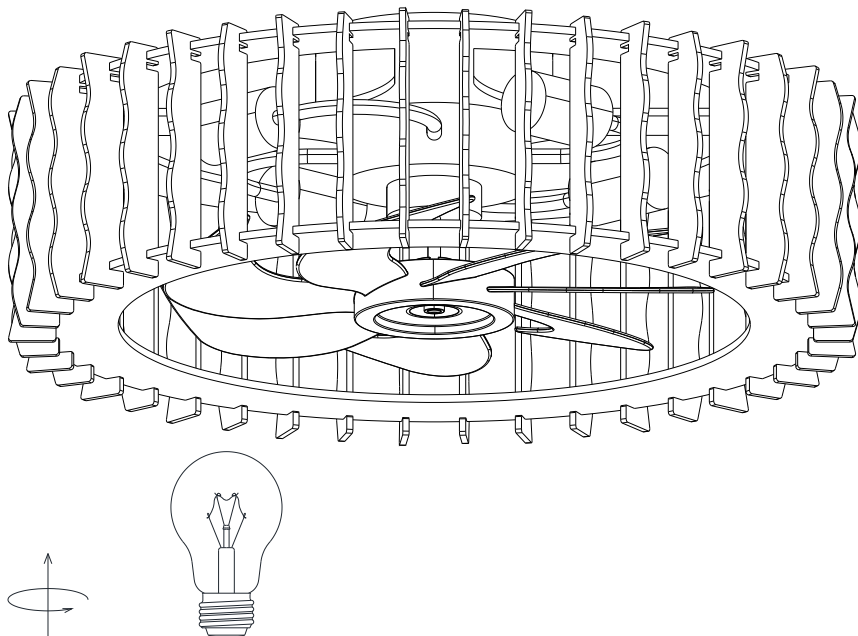
1. Connect the black wire to the live wire
2. Connect the white wire to the neutral wire
3. Connecting ground



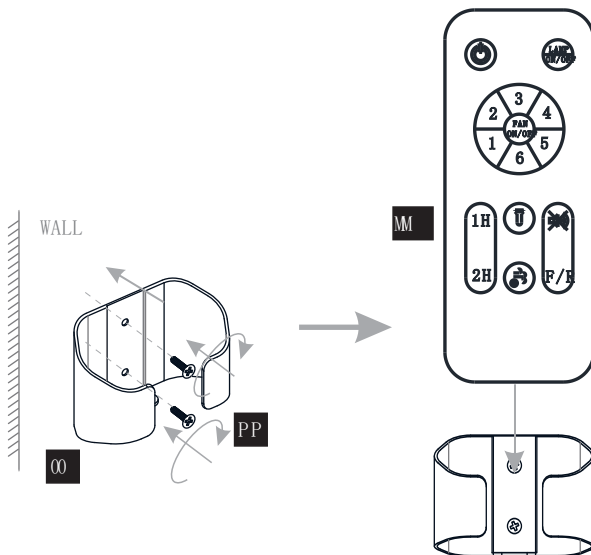
- Take out the hanging plate screws, pass them through the lamp body, and fasten them to the hanging plate mounted on the ceiling.



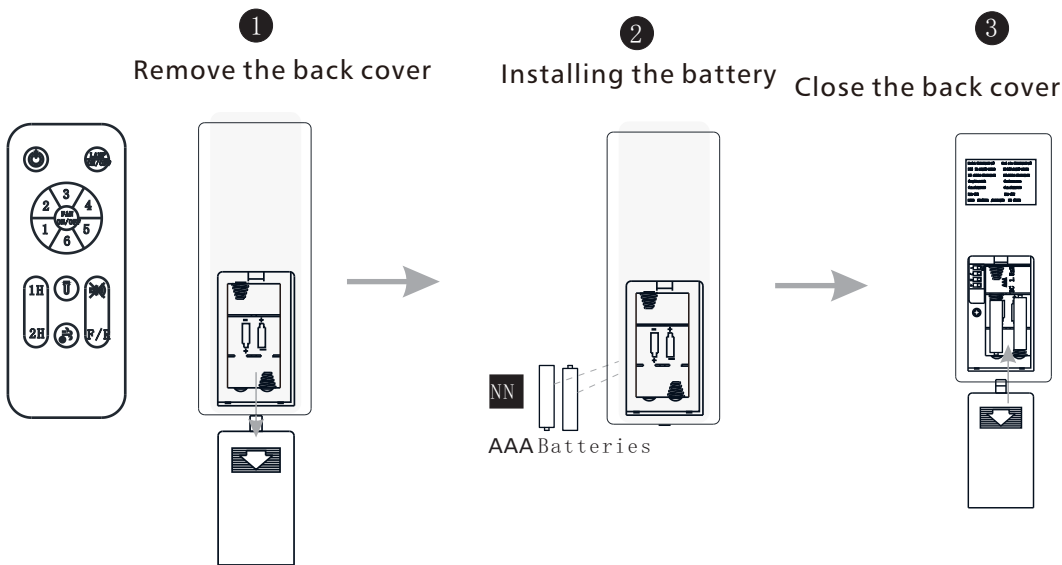
- Install the E26 bulbs and test for illumination



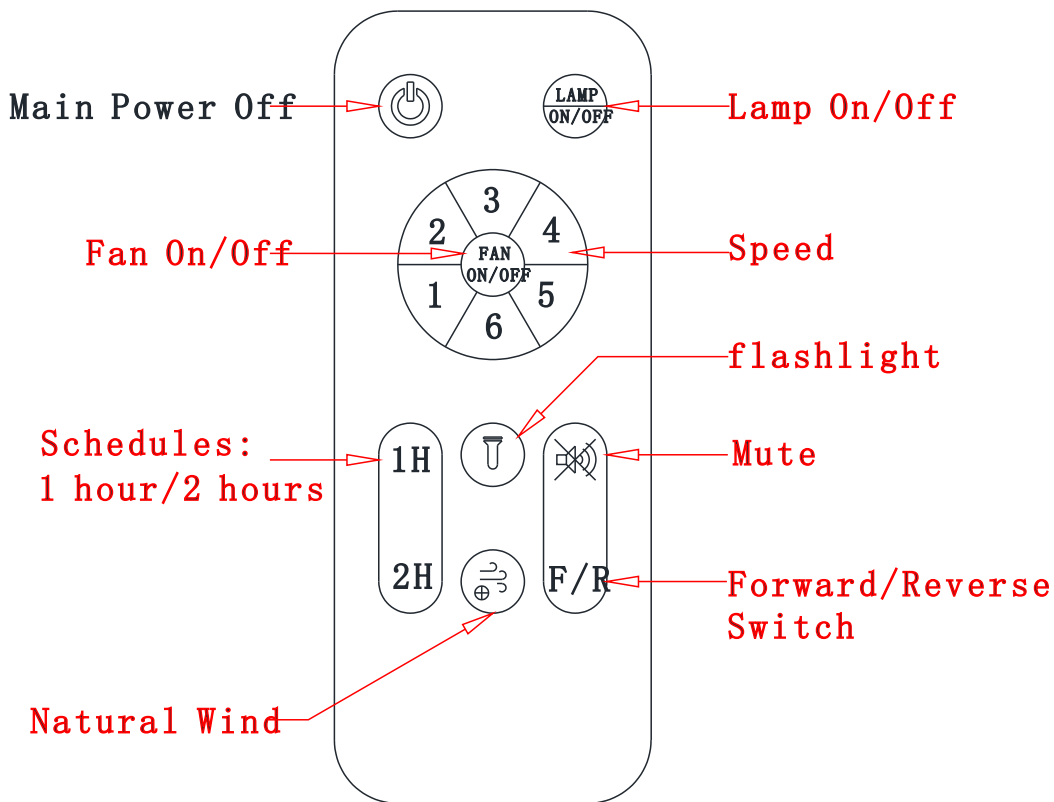
7 Install Wall Bracket



8 Remote Control Instructions-1



9 Remote Control Instructions-2



Pairing method: Press and hold 2H for 5 seconds after power-on